

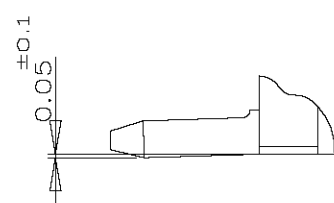
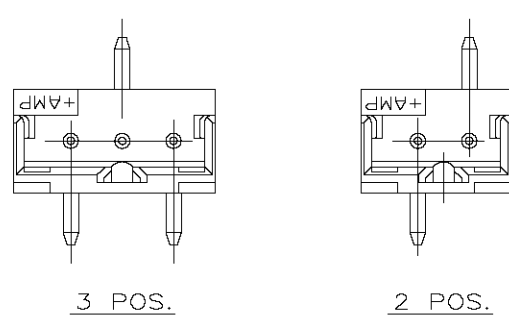
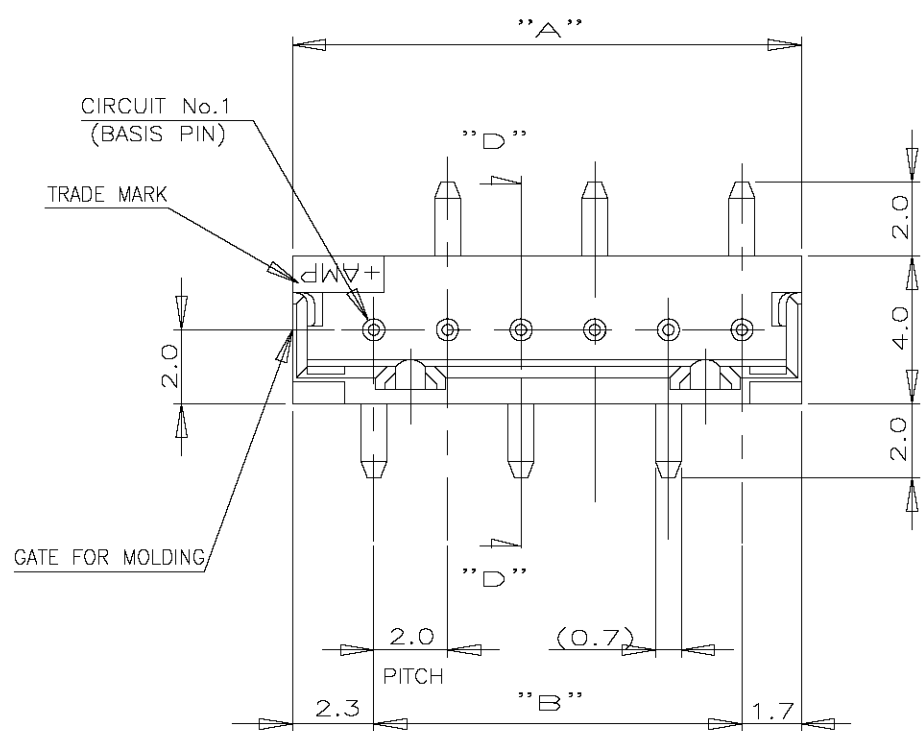
THIS DRAWING IS UNPUBLISHED. RELEASED FOR PUBLICATION

© COPYRIGHT BY TYCO ELECTRONICS CORPORATION. ALL RIGHTS RESERVED.

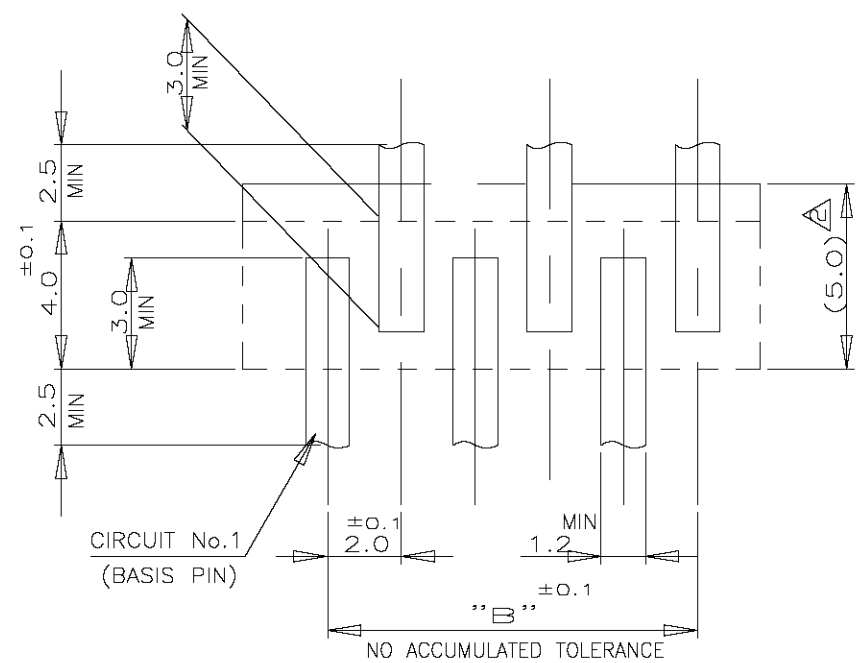
LOC FB DIST 00

REVISIONS

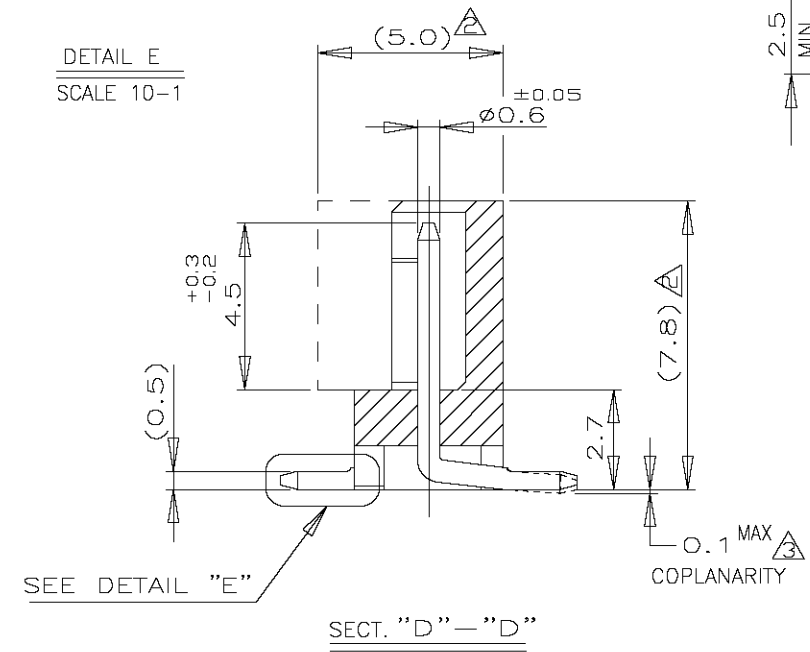
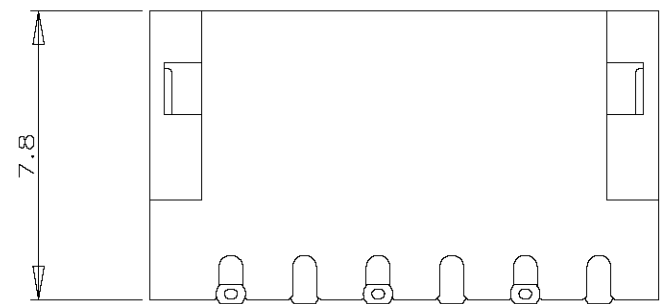
P	LTR	DESCRIPTION	DATE	DWN	APVD
A		REVISED ECR-05-000512	20JAN06	C.W	S.Y



DETAIL E SCALE 10-1



RECOMENOD P.C.BOARD LAYOUT (P.C.B THK:0.8mm MIN)



SEE DETAIL "E"

SECT. "D"-"D"

NOTES:

- MATERIAL : HOUSING - 6T PA G.F.30% (UL94V-0)
COLOR BLACK OR NATURAL
POST - TIN BRASS
- △ OCCUPANT AREA ON PC BOARD
(AFTER CONNECTOR MATING)
- △ TO BE MEASURED WITH CONNECTOR PLACED ON HORIZONTAL DATUM SURFACE, FLOAT OF SOLDER TINE FROM DATUM SURFACE IS 0.1mm MAX
- PART NUMBER FOR TUBE: 8-720999-6
- PRODUCT MUST COME OUT SMOOTHLY FROM TUBE AT INCLINING THE TUBE TO 45°

TOLERANCES UNLESS OTHERWISE SPECIFIED:

10 > *	±0.2
30 > * > 10	±0.25
100 > * > 30	±0.3
ANGEL	±3°

THIS DRAWING IS A CONTROLLED DOCUMENT.		DWN J.JIANG 23JAN03	Tyco Electronics Corporation Harrisburg, Pa 17105-3608	
DIMENSIONS: mm		CHK S.YAO 23JAN03		
TOLERANCES UNLESS OTHERWISE SPECIFIED:		APVD T.SASAKI 23JAN03	NAME	
0 PLC ±		PRODUCT SPEC	TUBE PACKING AMP CT CONN	
1 PLC ±		108-60016	POST HDR ASS'Y (STD-V SMT) W/O BOSS	
2 PLC ±		APPLICATION SPEC	SIZE A3	RESTRICTED TO
3 PLC ±		WEIGHT	CAGE CODE 00779	
4 PLC ±		CUSTOMER DRAWING	DRAWING NO C-292172	
ANGLES ±		SCALE NTS	SHEET 1 OF 1	REV A
MATERIAL				

QTY'S/TUBE	"A"	"B"	Pos.	NATURAL	BLACK
20	20.0	16.0	9	6-292172-9	292172-9
25	18.0	14.0	8	6- -8	-8
30	16.0	12.0	7	6- -7	-7
30	14.0	10.0	6	6- -6	-6
40	12.0	8.0	5	6- -5	-5
45	10.0	6.0	4	6- -4	-4
60	8.0	4.0	3	6- -3	-3
80	6.0	2.0	2	6-292172-2	292172-2
				P/N	